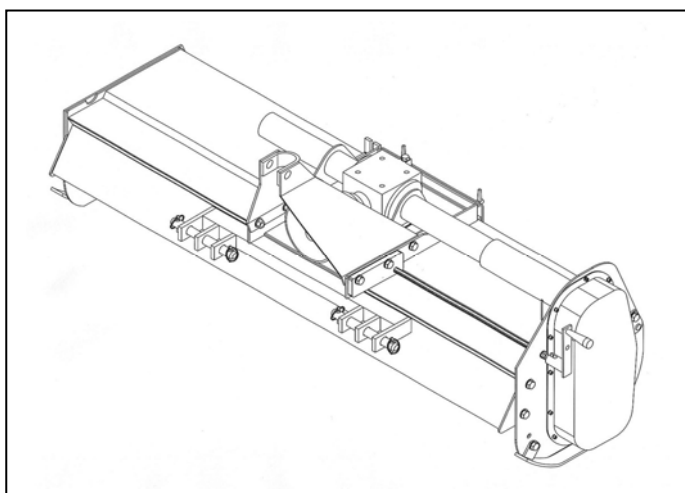


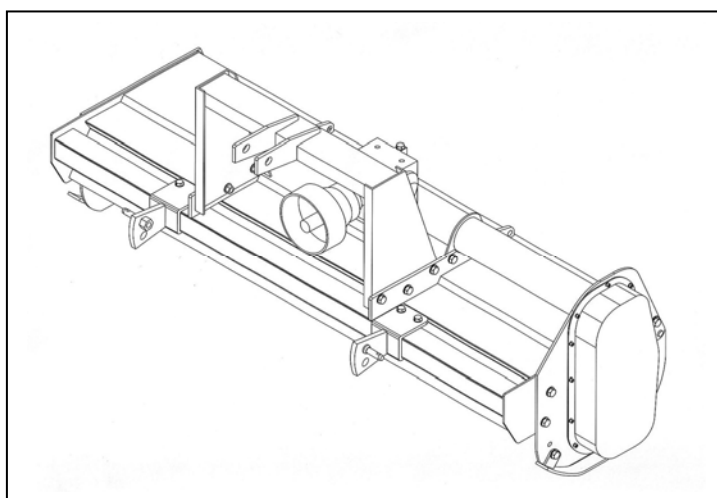
USE AND MAINTENANCE MANUAL

ROTARY TILLER TYPE "URT"

URT E-D

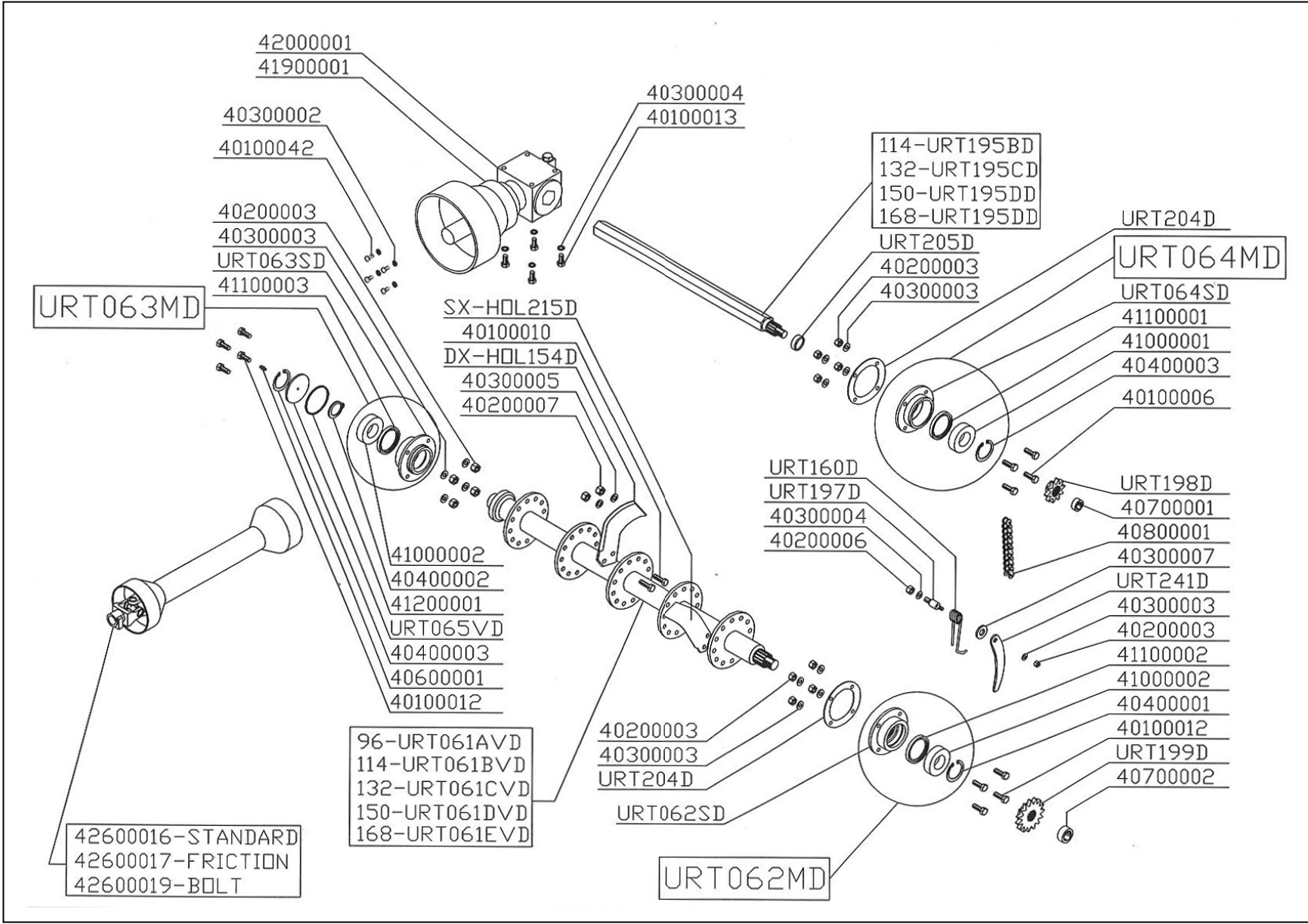


URT HF

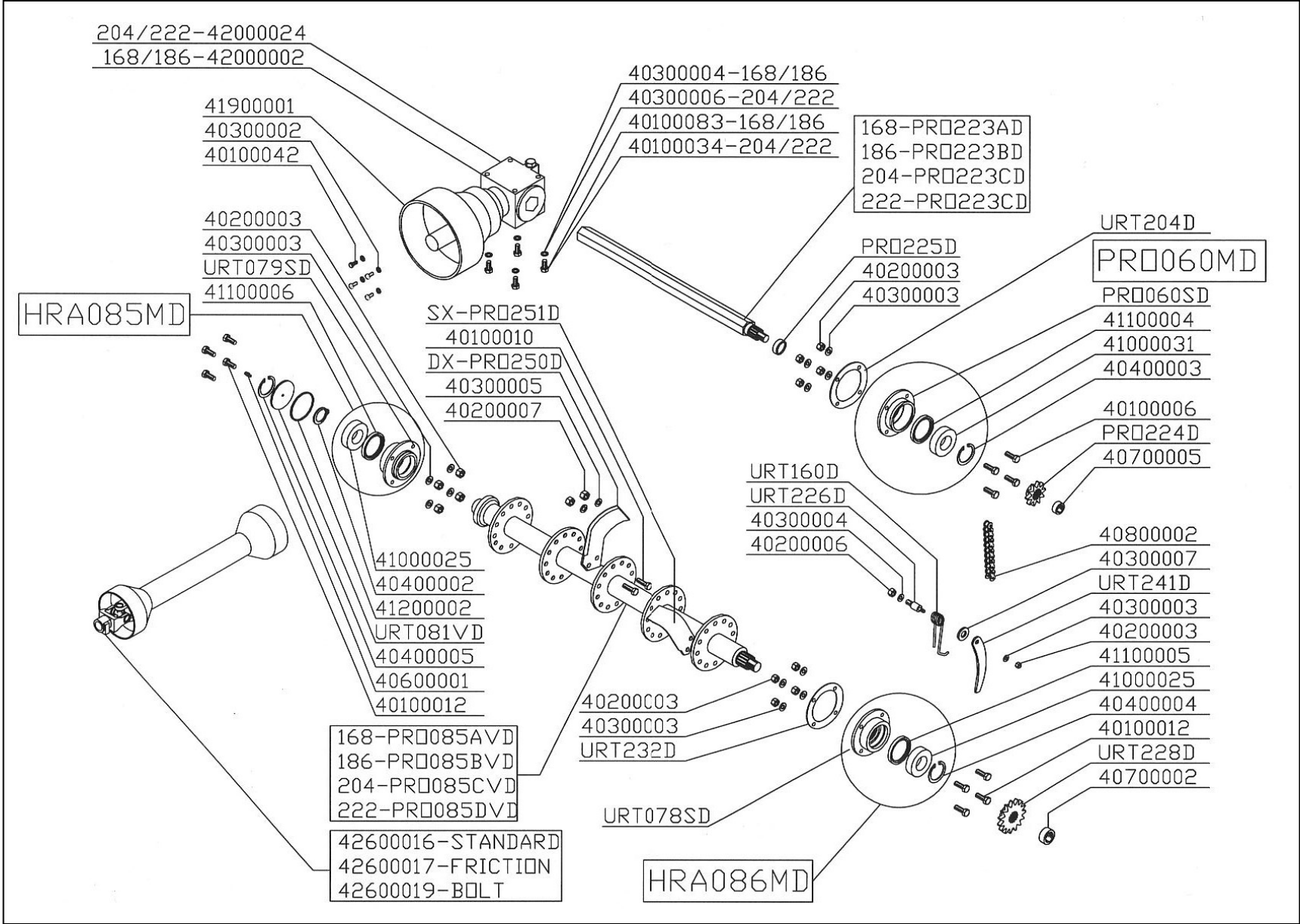


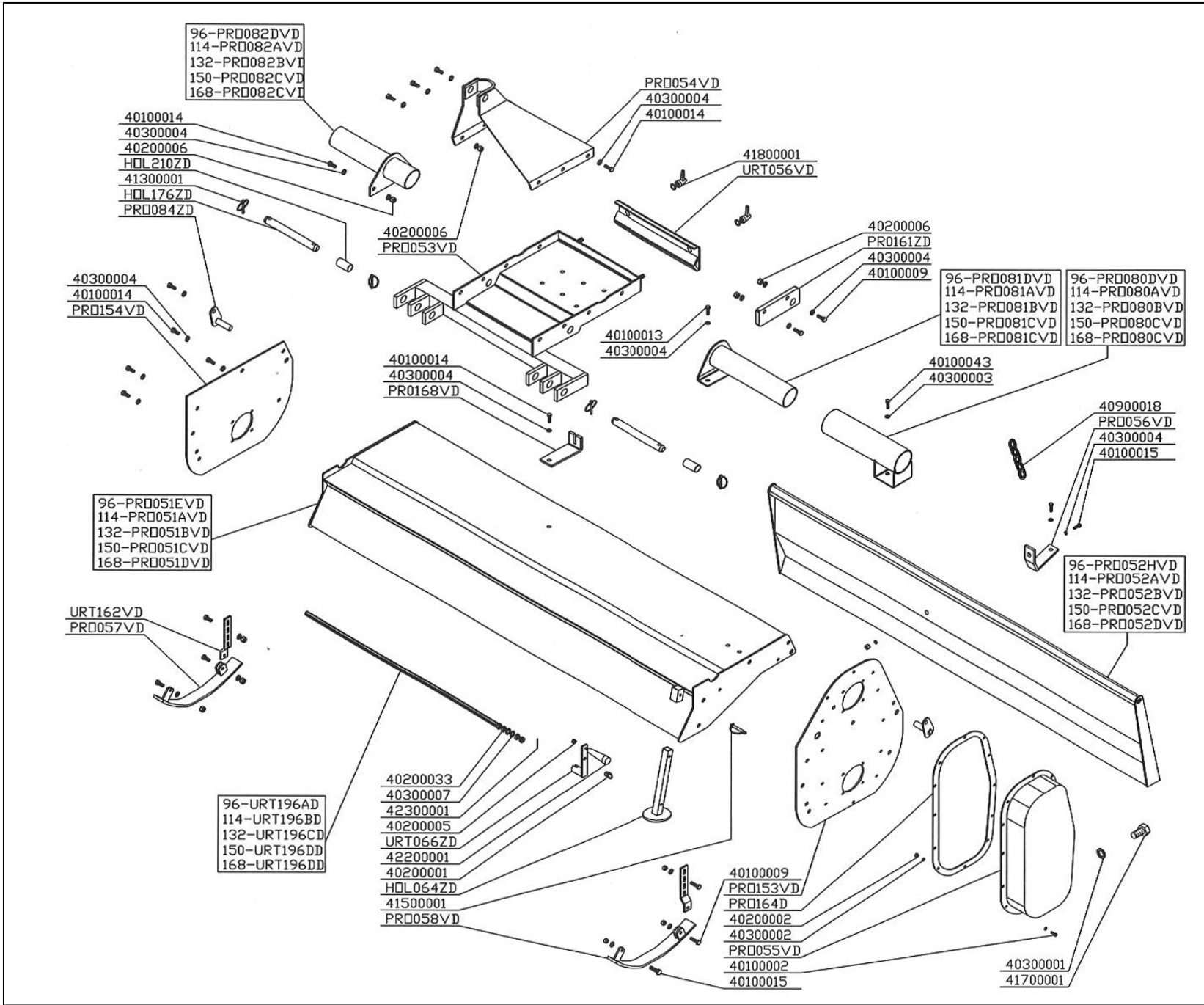
SPARE PARTS AND OPTIONS

URT-E/D MECHANISMS

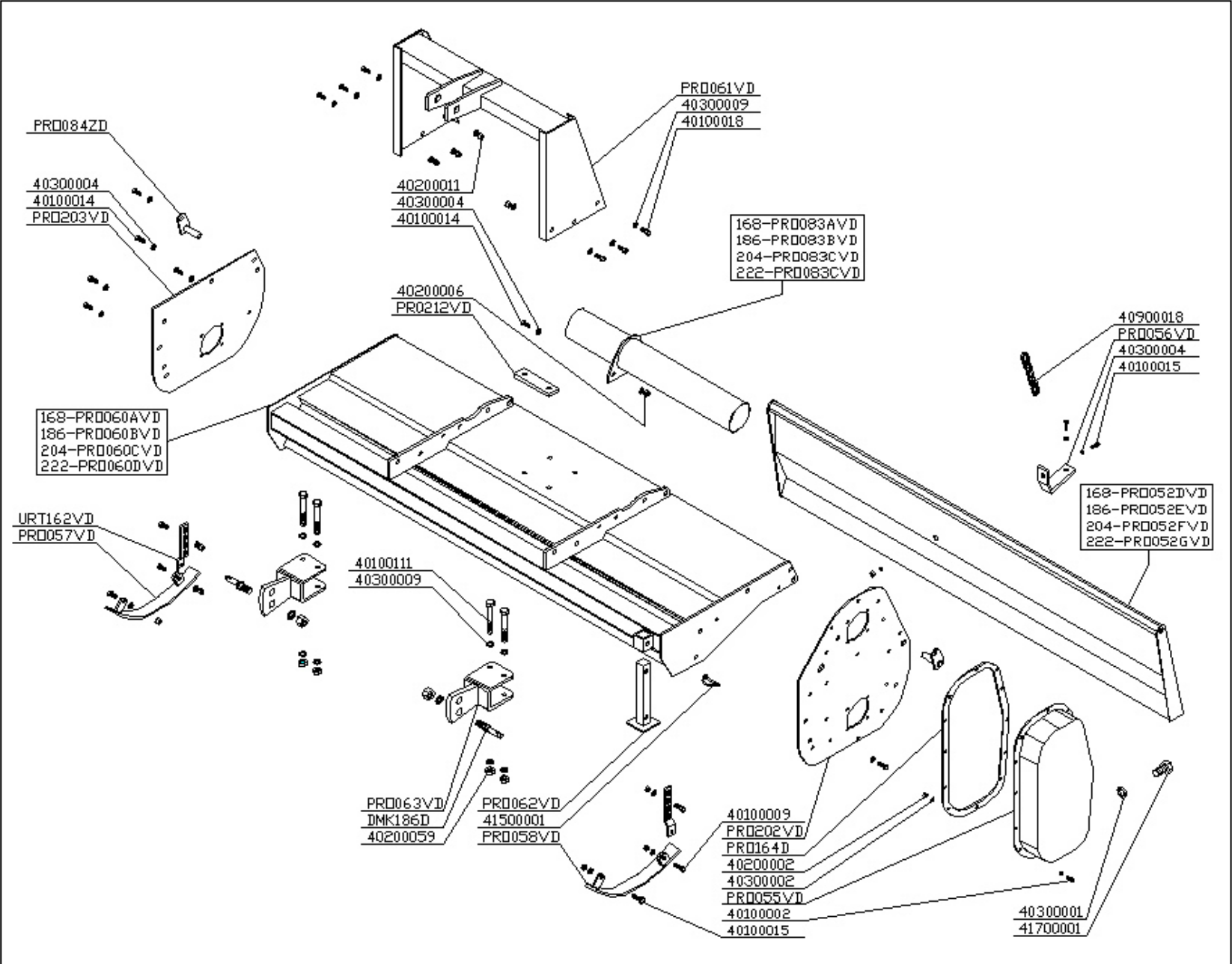


URT-HF MECHANISMS





URT-ED FRAME COMPONENTS



URT-HF FRAME COMPONENTS